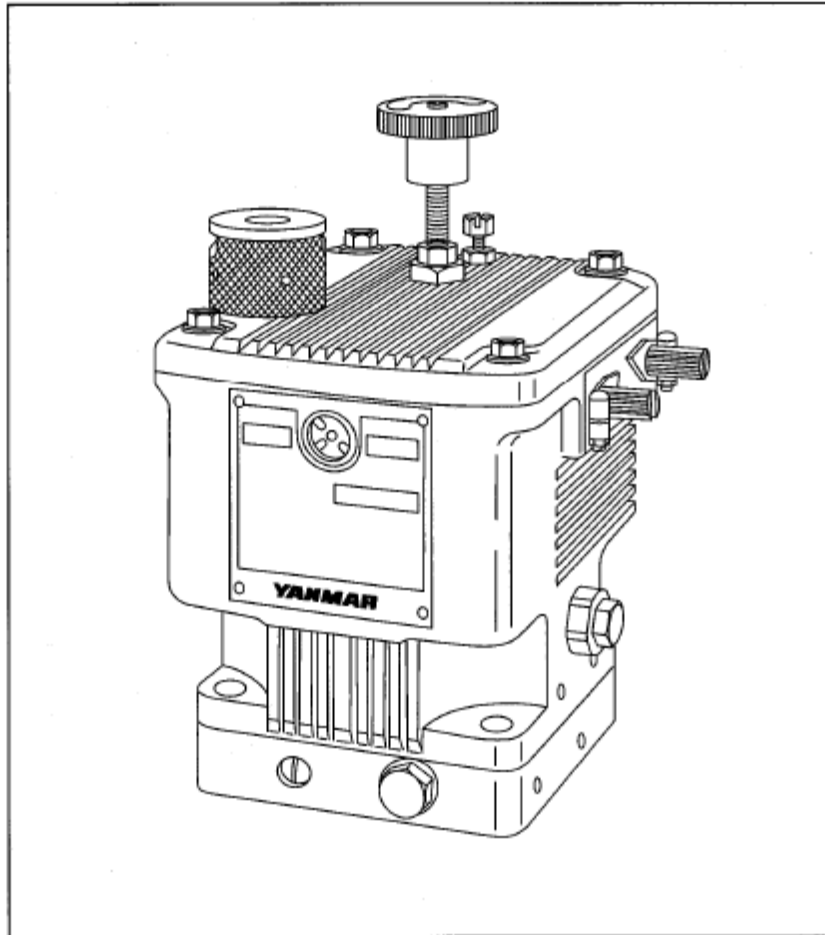


NZ SERIES HYDRAULIC GOVERNOI

MODEL NZ61/NZ115

SERVICE MANUAL



Be sure to read this Operation Manual for you to use this product safely and correctly. Even after reading it, carefully keep it, making clear to all personnel concerned where it is kept so that the operator, mechanic or supervisor will have an access to it whenever he wants to read or refer to it.

YANMAR CO.,LTD.

I.B.C.No. 0BNZ6-G00100

2008.7.4R